

CCS Technical Documentation

RH-14 Series Transceivers

Disassembly/Assembly

Contents

| | Page No |
|---|-----------|
| ESD Protection | 5 |
| Step-by-Step Disassembly Guide | 5 |
| Remove B-cover | 5 |
| Remove RF Plug | 6 |
| Remove A-cover | 6 |
| Remove screws | 6 |
| Remove lightguide assembly | 7 |
| Remove metal frame and earpiece | 7 |
| Remove PWB assembly | 8 |
| Remove shielding lids | 9 |
| Remove components from D-cover assembly | 9 |
| SALT speaker..... | 10 |
| Step-by-Step Assembly Guide..... | 11 |
| Mount components in D-cover | 11 |
| Mount shielding lids on PWB | 12 |
| Mount PWB on D-cover | 12 |
| Mount earpiece and metal frame | 12 |
| Mount domesheet | 13 |
| Mount display assembly on D-cover | 13 |
| Mount screws | 14 |
| Mount keymat and A-cover assembly | 14 |
| Insert RF Plug | 15 |
| Place battery | 16 |
| Mount B-cover assembly | 16 |

ESD Protection

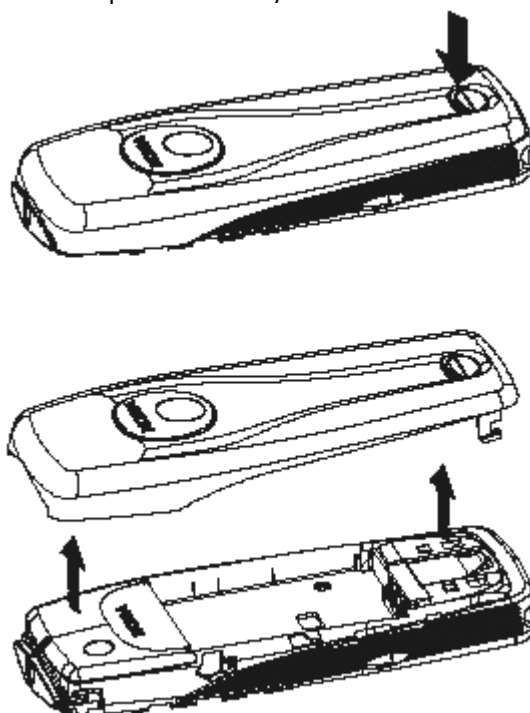


Step-by-Step Disassembly Guide

The following diagrams may be helpful in explaining the correct sequence and technique for disassembly of the RH-14 handsets.

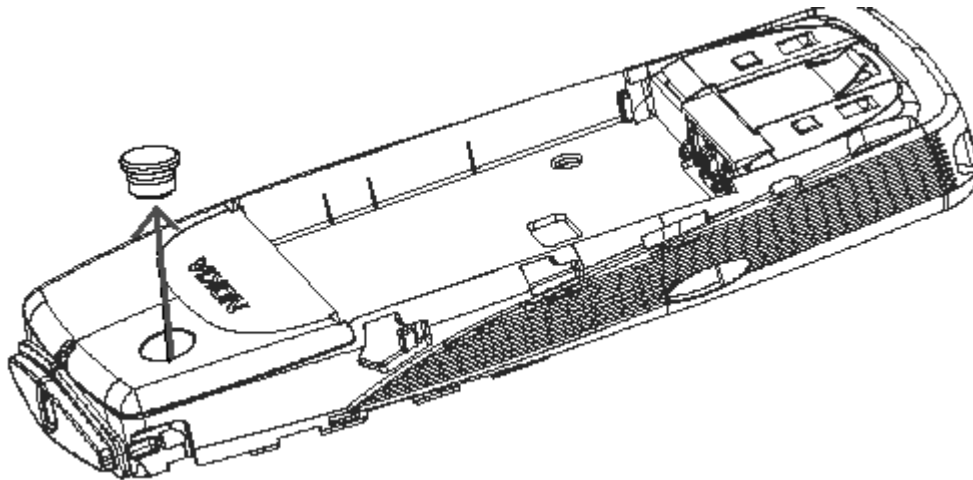
Remove B-cover

- 1 Turn phone off
- 2 Remove the B-cover by pushing the button (indicated by arrow)
- 3 Lift the B-cover up as shown by the arrows.



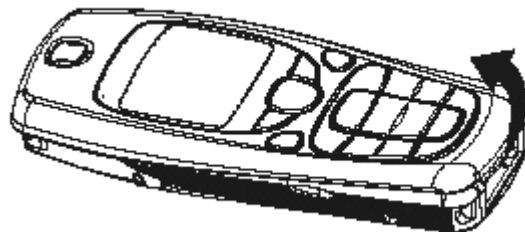
Remove RF Plug

Remove the RF Plug from RF connector opening in the antenna.



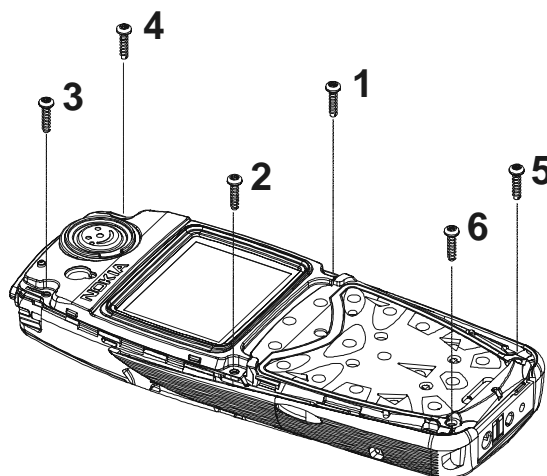
Remove A-cover

Place thumb under the edge of the A-cover and fingers on top of the A-cover, then pull gently until it snaps. Once lifted, ensure that the keymat does not fall out of the A-cover.



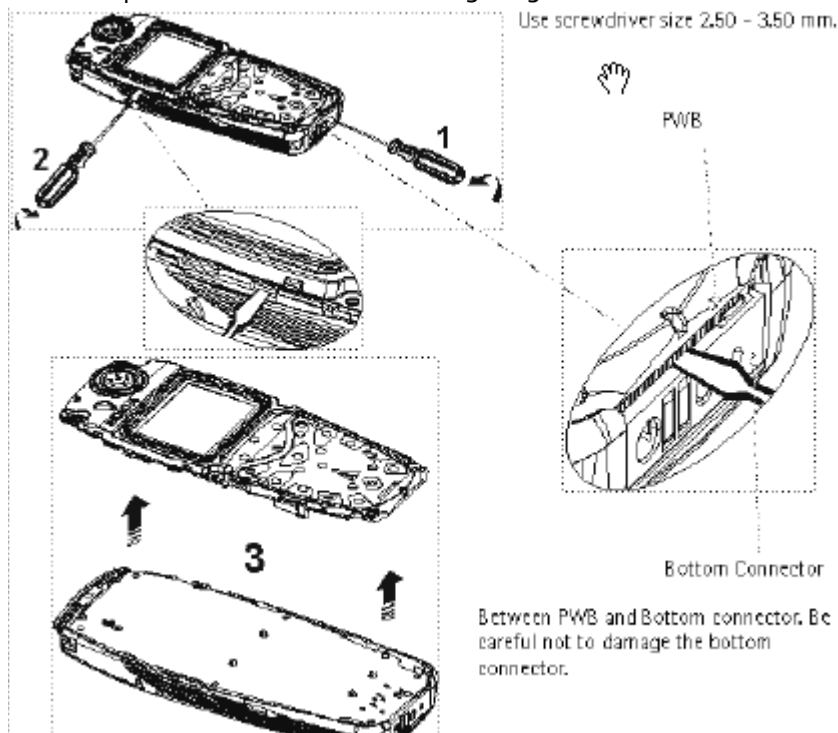
Remove screws

Unscrew the six screws as indicated.



Remove lightguide assembly

Follow the steps indicated in the following diagram:

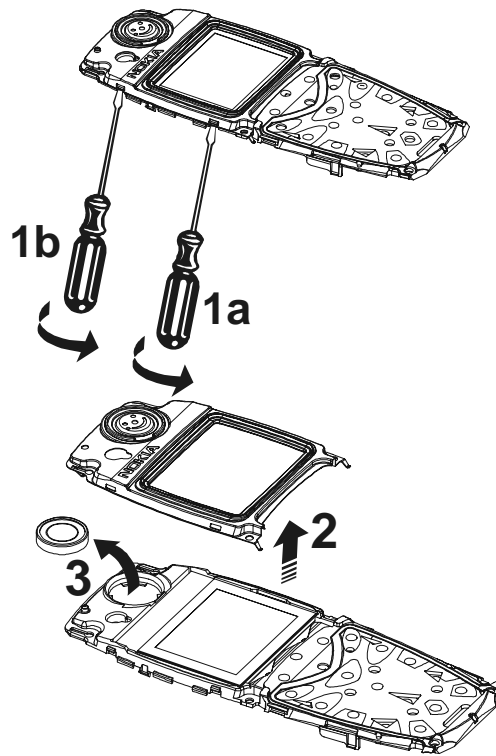


Remove metal frame and earpiece

Follow the numbered steps in the following diagram.

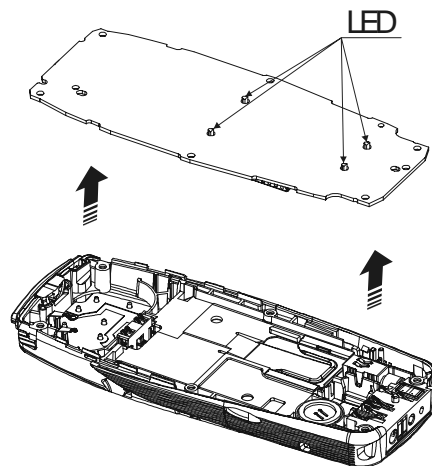
Note: Use screwdriver size 2.50 - 3.50 mm.

- 1 Turn screwdriver at snaps only on one side
- 2 When removing the metal frame, be careful not to damage the four springs in the corners
- 3 Remove earpiece



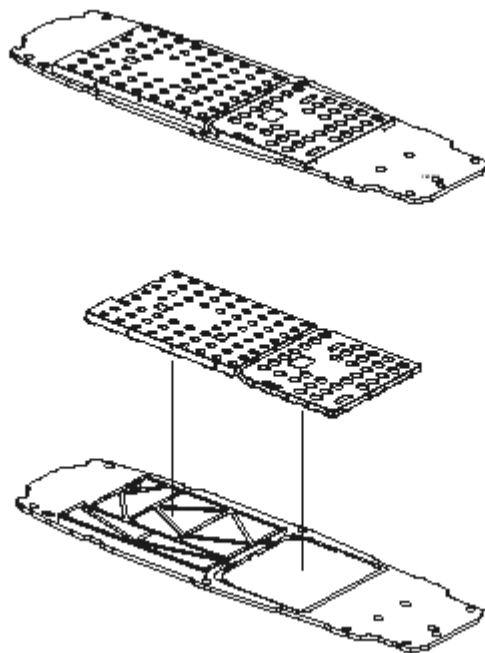
Remove PWB assembly

Lift the PWB as indicated in the following drawing. Then, place the PWB on ESD table with LEDs on top.

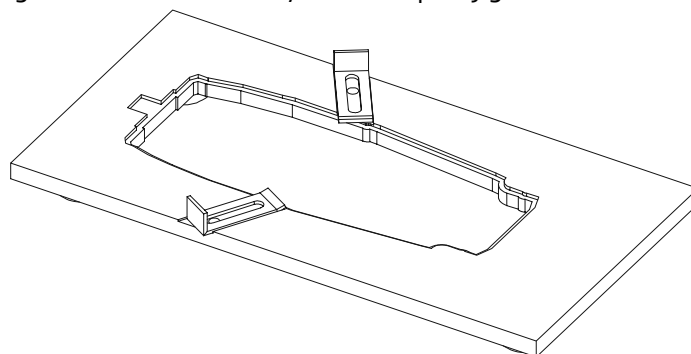


Remove shielding lids

Caution: Do not re-use shielding lid once it is removed.



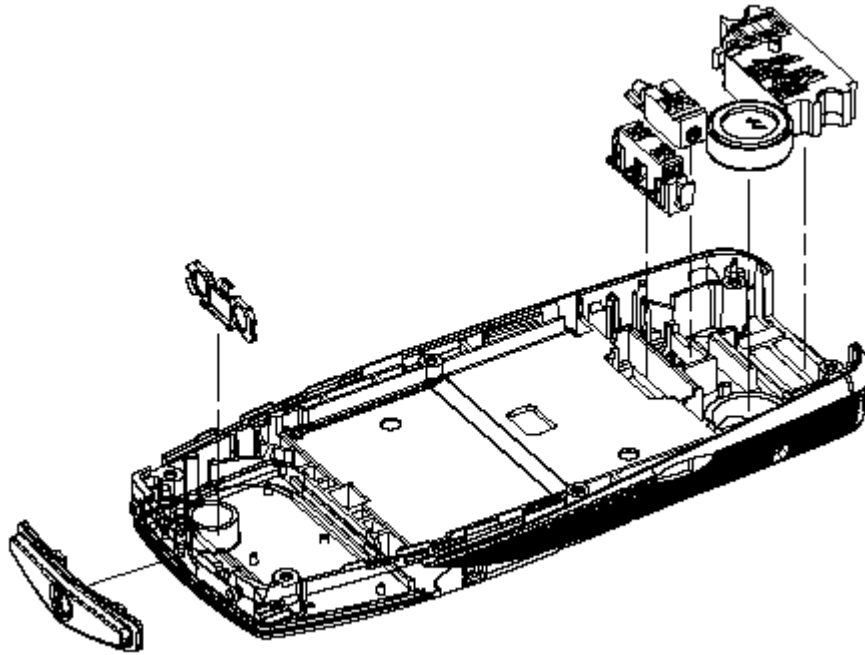
When working with the PWB, always use a repair jig.



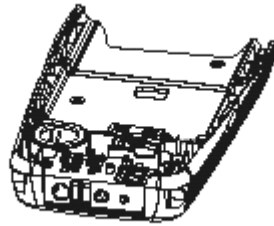
Remove components from D-cover assembly

The following components are removable:

- 1 Power key
- 2 Battery connector
- 3 SALT speaker (see diagram)
- 4 Vibra
- 5 Bottom connector



SALT speaker

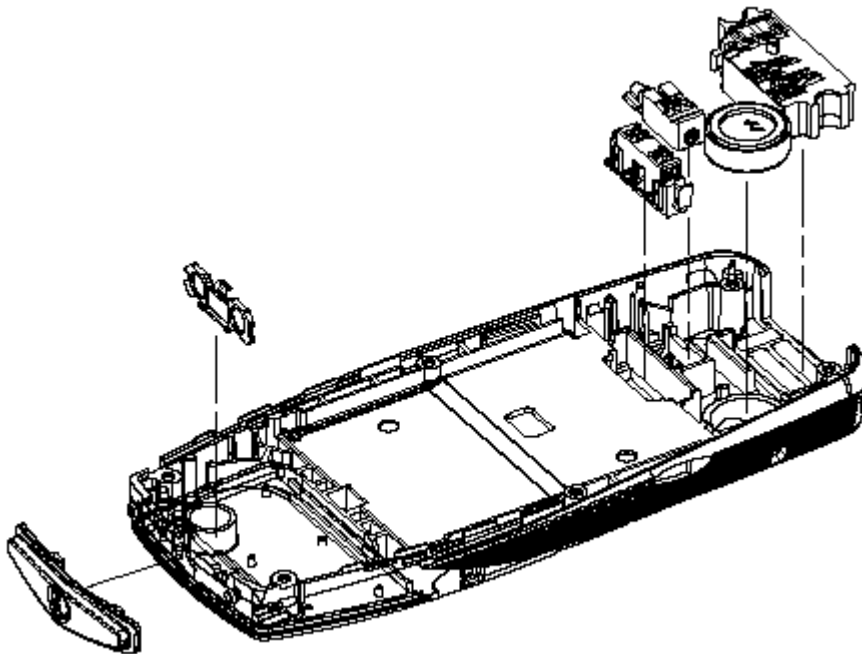


Step-by-Step Assembly Guide

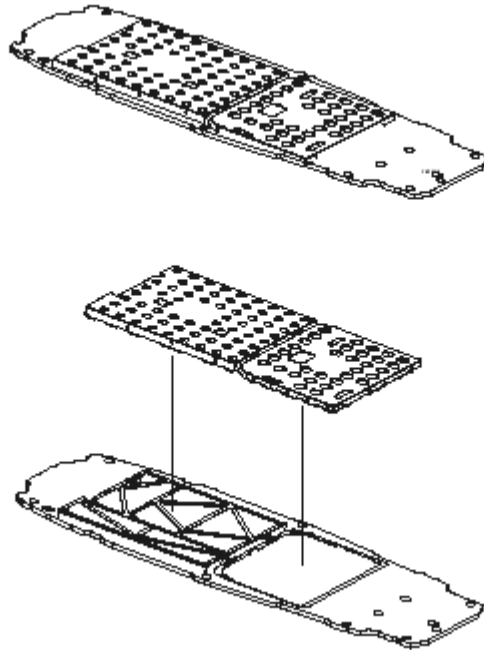
Mount components in D-cover

- 1 Power key
- 2 Battery connector
- 3 SALT speaker
- 4 Vibra
- 5 Bottom connector

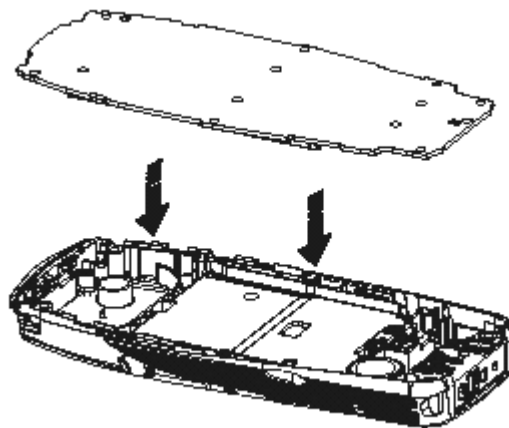
Note: Ensure that all components are placed correctly.



Mount shielding lids on PWB

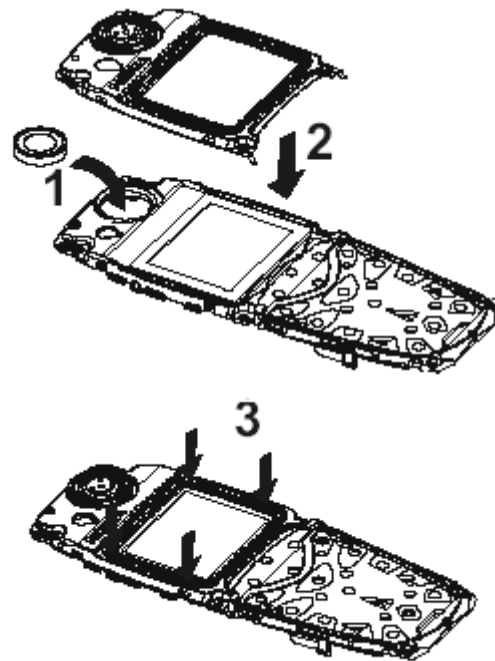


Mount PWB on D-cover



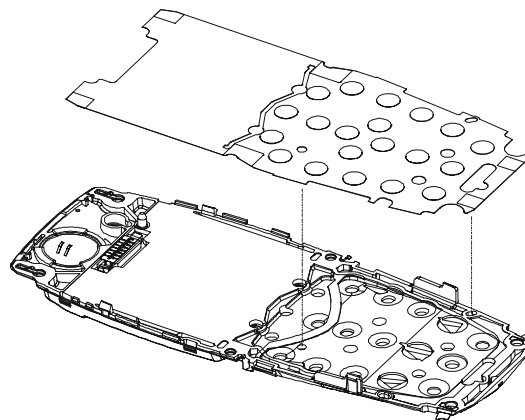
Mount earpiece and metal frame

- 1 Mount the earpiece in the lightguide
- 2 Place metal frame on lightguide – be careful about the springs in each of the four corners
- 3 Push the metal frame down (indicated with arrows in drawing below) until it snaps on



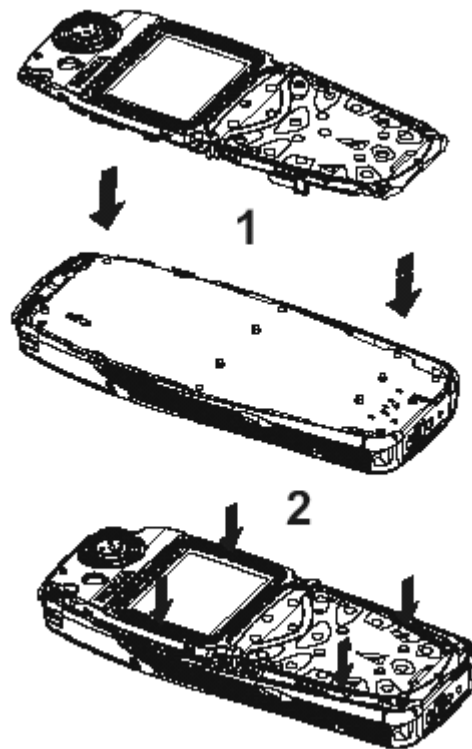
Mount domesheet

When mounting the domesheet, use the two holes indicated as guide.



Mount display assembly on D-cover

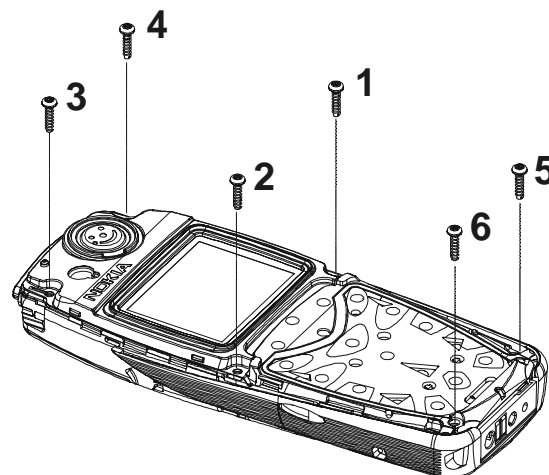
- 1 Place the display assembly in the D-cover
- 2 Push the display assembly down (indicated by arrows in the drawing below) until it snaps on



Mount screws

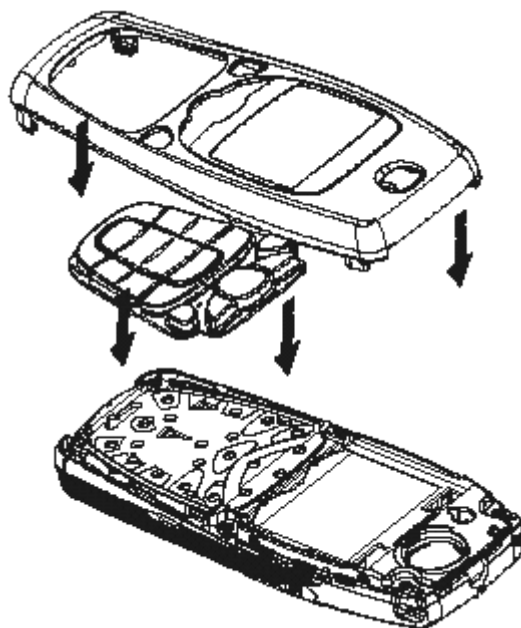
Fasten the screws in the sequence indicated in the following diagram. Be sure to use a torx #6 screwdriver.

Note: Max torque 28Ncm at 500-600RPM.



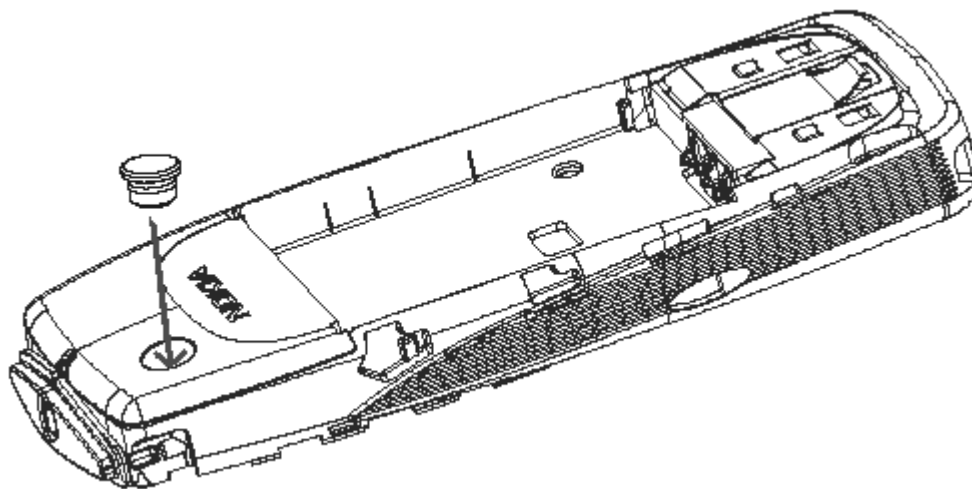
Mount keymat and A-cover assembly

- 1 Place keymat
- 2 Push down the A-cover until it snaps on



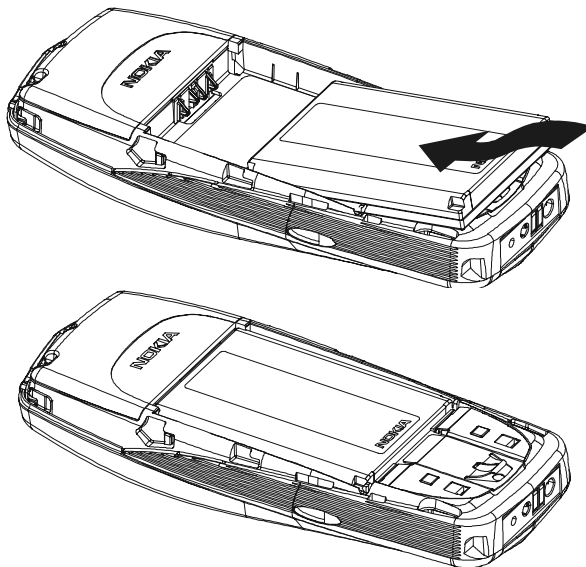
Insert RF Plug

Insert RF Plug into RF connector opening in the antenna.



Place battery

Slide battery under the hooks in the D-cover.



Mount B-cover assembly

- 1 Place B-cover assembly on D-cover
- 2 Push the B-cover in the direction indicated by the arrow in drawing below until the B-cover snaps on

